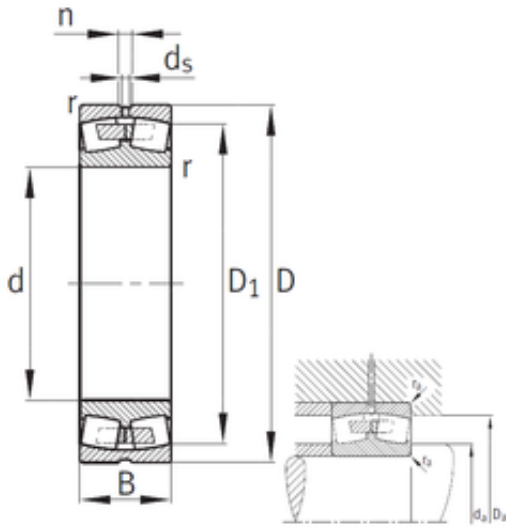




## BEARING PRECISION AXLE CORP.



### 300 mm x 460 mm x 118 mm FAG 23060-MB Spherical Roller Bearings

Bearing No. 23060-MB

23060-MB Bearing 2D drawings and 3D CAD models

Size	300x460x118 mm
Bore Diameter	300 mm
Outer Diameter	460 mm
Width	118 mm
d	300 mm
D	460 mm
B	118 mm
C	118 mm
n	17,7 mm
r min.	4 mm
D1	412,6 mm
da min.	314,6 mm
Da max.	445,4 mm
ra max.	3 mm
d5	9,5 r/min
Weight	73,8 Kg
Basic dynamic load rating (C)	1960 kN
Basic static load rating (C0)	3650 kN
Fatigue load limit (Pu)	223
Reference speed	960 r/min
Limiting speed	1 100 r/min
Calculation factor (e)	0,25
Calculation factor (Y0)	2,63
Calculation factor (Y1)	2,69